



SEA[®]
electronic opening system

Saturn 600

600 · 600 OIL · 600 24V OIL

Operator for sliding gates
for residential use



Systems for
sliding gates



- Strong, reliable and offering excellent value for money
- Saturn 600 Oil versions offer continuous oil lubrication of the gear for maximum durability
- High quality mechanical limit switch or inductive on request
- Release system with lever and lock with micro-switch in case of power failure
- Optional external release with metal box
- Serial Encoder for ease of compliant with European Safety Standard
- Control unit Gate 1 (for Saturn 600 OIL), Gate 1 24V (for Saturn 600 24V OIL), Slide (for Saturn 600).
- Serial two-disc mechanical clutch (only Saturn 600 OIL)
- Safety micro-switch for manual release system in case of power failure

Saturn

TECHNICAL SPECIFICATIONS

Specification	Saturn 600 OIL Saturn 600	Saturn 600 24V OIL
Supply Voltage	230 Vac±5% 50/60 Hz	
Motor Power	330 W	90 W
Opening Speed	9,5 m/min (z16) - 11m/min(z20)	
Frequency of use	30% / 40%	60%
Max Torque	30 Nm	0/35 Nm
Operating temperature	from -20 °C to + 55 °C	
Weight	14 kg / 13 Kg	14 Kg
Max leaf weight	600 Kg	
Anti-crushing clutch	mechanical/ electronic	electronic
Protection class	IP 55	
Starting Capacitor	10 µF	-
Limit switch	mechanical / inductive	mechanical /inductive



Release with aluminium lever and lock



Oil lubrication of the gears (only 600 OIL)

Gate 1 (Saturn 600 OIL)

- Management of one 230 Vac motor with or without limit switch
- Automatic logic (4 modalities), semiautomatic
- Slow down in opening and closing
- Motor torque adjustment
- Self-learning operating times
- Auto-test on photocells
- Auto-diagnostic
- Encoder management (also Safety Gate for swing gates)
- Diagnostic Leds on all outputs/inputs
- Extractable connectors
- Integrated radio decoding compatible with radio transmitters SMART, HEAD, COCCINELLA and SMART E-COPY (800 users) series with optional RF radio frequency module
- 230V on board warning lamp with pre-flashing
- Soft start, push over and reverse stroke
- Courtesy lamp and control lamp management
- Programming through PALM
- Connector for photocells WALL and SUNSET
- Timer and security edge management, photocells in opening
- Pedestrian opening function

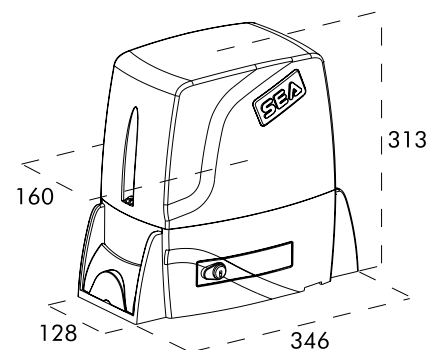
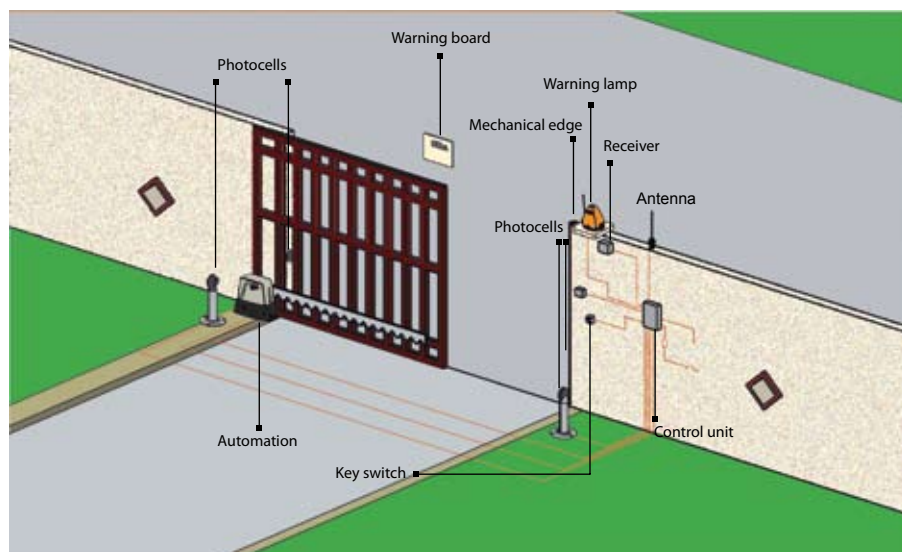
Gate 1 24V (Saturn 600 24V OIL)

- Administration of one 24 Vac motor
- Automatic, semiautomatic, step by step type 1, step by step type 2
- Adjustable slow down in opening and closing
- Anti-crushing intervention sensibility adjustment
- Motor speed adjustment
- Ammeter function for obstacles
- Working time self learning
- Auto-test on photocell
- Auto-diagnostic
- Auto-adjustment of the parameters varying with the time
- Diagnostic led on all in/output
- Warning lamp administration on board with pre-flashing
- Extractable connecting board
- Connector for plug in receiver SIGNAL
- Emergency battery administration (optional)
- Limit switch management
- Control lamp and courtesy lamp control
- Connector for photocells WALL and SUNSET
- Administration stop, pedestrian opening, timer
- Adjustable pause and security reverse
- Option: light/heavy gate
- Photocells management in opening and closing

Slide (Saturn 600)

- Administration of one 230Vac motor with limit switch (sliding)
- Automatic logic, semi automatic
- Motor torque adjustment
- Encoder administration
- Extractable connector
- Adjustable slow down in opening and closing
- Radio decoding 10 users with optional RF radio freq. module
- Stop function with transmitter
- Pedestrian opening
- Timer management
- Adjustable pause

Standard installation



Dimensions (mm)



Zona Industriale S. Atto (TERAMO) ITALIA
Tel. +39 0861 588341 r.a. Fax +39 0861 588344
seacom@seateam.com - www.seateam.com

SERVIZIO CLIENTI
840-000-440

