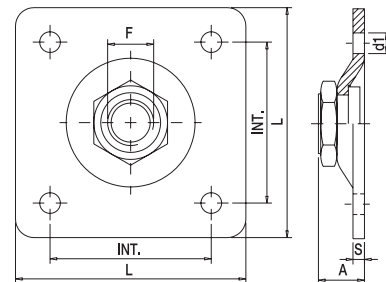


I Piastra regolabile per cardine

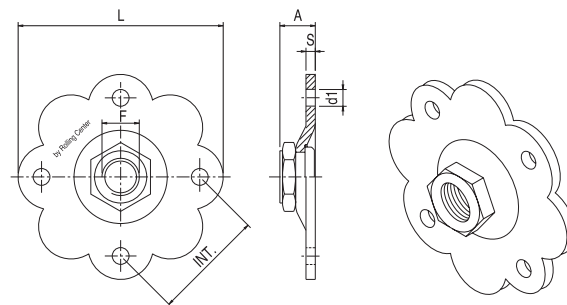
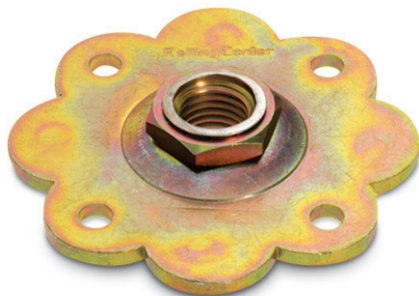
| | |
|-----|--|
| UK | Adjustabled hinge plate |
| D | Einstellbare Flanschplatte fuer Anschweißtorband |
| F | Plasque réglable pour gond |
| E | Placa regulable para pernio |
| RUS | Петля нижняя опорная под сварку |



| Articolo - Article | | L | F | S | A | INT. | d1 | | |
|-------------------------|-------------|-------|------|----|----|-------|----|----|-----|
| Riferimento - Reference | | □ | UNI | mm | | | ∅ | N° | EN |
| PR 18 | PT 00 18 R0 | 60x90 | M 18 | 4 | 14 | 40x70 | 9 | 20 | 5 |
| PR 20 | PT 00 20 R0 | 100 | M 20 | 5 | 19 | 70 | 9 | 20 | 8,7 |
| PR 24 | PT 00 24 R0 | 120 | M 24 | 6 | 20 | 90 | 11 | 10 | 7,1 |

I Piastra a fiore regolabile per cardine serie ferro battuto

| | |
|-----|---|
| UK | Adjustable flower plate for hinge wrought iron range |
| D | Regelbar - Blumenplatte Anschweisband Schmiedeiserne Tore |
| F | Plaque fleur réglable pour gond série fer forgé |
| E | Placa regulable flor para pernio serie hierro forjado |
| RUS | Пластина регулируемая для петли |



| Articolo - Article | | L | F | S | A | INT. | d1 | | |
|-------------------------|-------------|-----|------|----|----|------|----|----|-----|
| Riferimento - Reference | | □ | UNI | mm | | | ∅ | N° | EN |
| PR 20F | PT 00 20 R1 | 110 | M 20 | 5 | 19 | 60 | 9 | 20 | 7,5 |
| PR 24F | PT 00 24 R1 | 130 | M 24 | 6 | 20 | 65 | 11 | 10 | 6 |